

## High Performance Drive

### iS7



#### General

Product code		6120005200
Product description		SV0300iS7-2SO
Enclosure Rating		IP00
Input Rating (3-Phase)	Supply Voltage [VAC]	200~240 VAC
	Rated Current [HD/Heavy Duty]	121 A
	Rated Current [ND/Normal Duty]	152 A
	Supply Frequency [Hz]	50~60 Hz
Input Rating (1-Phase)	Supply Voltage (VAC)	240 VAC
	Rated Current (HD)	121 A
	Rated Current (ND)	152 A
	Supply Frequency (Hz)	60 Hz
Output Rating (3-Phase Input)	Output Voltage (VAC)	200~230 VAC
	Motor Power HP (HD)	40 hp
	Motor Power HP (ND)	50 hp
	Motor Power kW (HD)	30 kW
	Motor Power kW (ND)	37 kW
	Output Current (HD)	116 A
	Output Current (ND)	146 A
	Rated Capacity (HD)	46 kVA
	Rated Capacity (ND)	-

	Output Frequency [Hz]	0~400 Hz
Output Rating (1-Phase Input)	Output Voltage [VAC]	-
	Motor Power HP [HD]	20 hp
	Motor Power HP [ND]	25 hp
	Output Current [HD]	60.0 A
	Output Current [ND]	75.0 A
	Rated Capacity [HD]	-
	Rated Capacity [ND]	-
	Output Frequency [Hz]	-

### General

Short Circuit Rating		100kA (IEC 60439-1)
Overload Capacity	HD	150% for 1min
	ND	110% for 1min
Control Method		V/F, V/F PG, Slip compensation, Sensorless, Vector control
Input Terminals		8 Points
Output Terminals	Relay Output	2 Points
	Open Collector Output	1 Point
EMC Filter		-
DC Reactor		-
Communication	Built-in	Modbus RTU, LS INV 485
	Option	RAPIDnet+, EtherNet/IP, Modbus TCP, CANopen, Profibus-DP, PROFINET, CC-LINK, CC-LINK IE
Option Card		PLC, Extension I/O, Synchronous, Position, Binary input, Encoder, 24V Encoder, Remote cable(2/3m)

### Environment

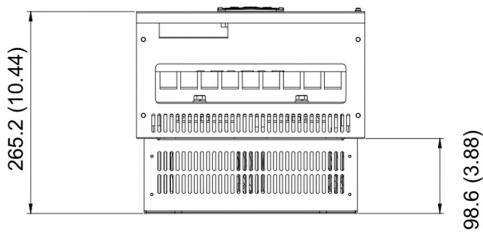
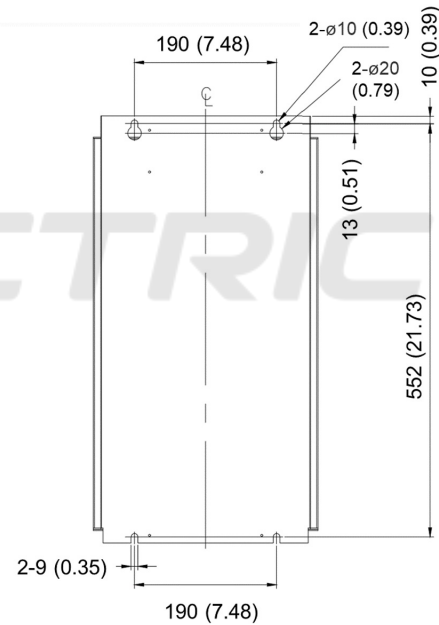
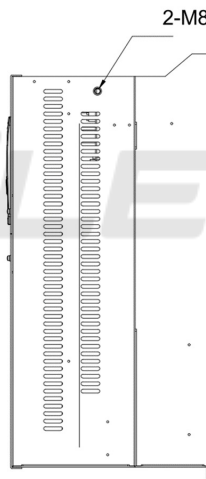
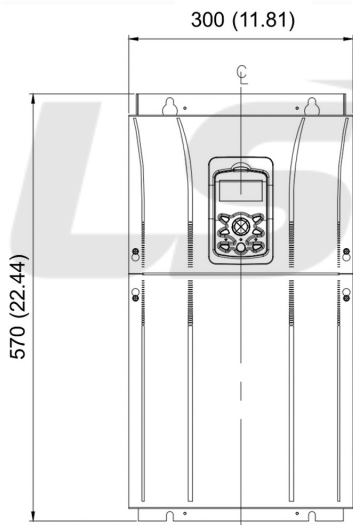
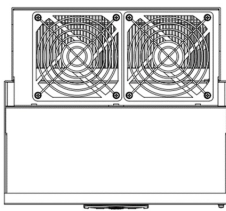
Ambient Temperature	HD	-10~50°C (14~122°F)
	ND	-10~40°C (14~104°F)
Storage Temperature		-20~65°C (-4~149°F)
Humidity		Relative humidity of 95% RH or below (without dew formation)

Vibration	9.8m/sec <sup>2</sup> (1.0G) or below
Altitude	1,000m above sea level (From 1,000m or more, voltage/output current derating by 1% for every 100m elevation; up to 4,000m)
Certification	KC, CE, UL, cUL, Safety, C-Tick ABS, BV, DNV, KR

### Dimensions

Frame	E	
W x H x D	mm	300 x 570 x 265.2
	inch	11.81 x 22.44 x 10.44

### Drawing



Dimension: mm (inch)