

## Standard Drive

### S100



#### General

Product code		6031004300
Product description		LSLV0008S100-4EXNNS
Enclosure Rating		IP66, NEMA 4X (Indoor)
Input Rating (3-Phase)	Supply Voltage [VAC]	380~480 VAC
	Rated Current [HD/Heavy Duty]	2.4 A
	Rated Current [ND/Normal Duty]	3.3 A
	Supply Frequency [Hz]	50~60 Hz
Input Rating (1-Phase)	Supply Voltage (VAC)	480 VAC
	Rated Current (HD)	2.4 A
	Rated Current (ND)	3.3 A
	Supply Frequency (Hz)	60 Hz
Output Rating (3-Phase Input)	Output Voltage (VAC)	380~480 VAC
	Motor Power HP (HD)	1.0 hp
	Motor Power HP (ND)	2.0 hp
	Motor Power kW (HD)	0.75 kW
	Motor Power kW (ND)	1.5 kW
	Output Current (HD)	2.5 A
	Output Current (ND)	3.1 A
	Rated Capacity (HD)	1.9 kVA
	Rated Capacity (ND)	2.4 kVA

	Output Frequency [Hz]	0~400 Hz
Output Rating (1-Phase Input)	Output Voltage [VAC]	-
	Motor Power HP [HD]	0.5 hp
	Motor Power HP [ND]	0.75 hp
	Output Current [HD]	1.5 A
	Output Current [ND]	1.9 A
	Rated Capacity [HD]	-
	Rated Capacity [ND]	-
	Output Frequency [Hz]	-

### General

Short Circuit Rating		100kA (IEC 60439-1)
Overload Capacity	HD	150% for 1min
	ND	120% for 1min
Control Method		V/F control, Slip compensation, Sensorless vector, PM sensorless
Input Terminals		5 Points
Output Terminals	Relay Output	1 Point
	Open Collector Output	1 Point
EMC Filter		-
DC Reactor		-
Communication	Built-in	Modbus RTU, LS INV 485
	Option	PROFINet, Modbus TCP, EtherCAT, EtherNet/IP, Profibus -DP, CANopen
Option Card		Extension I/O, Remote Cabel, Remote Keypad, Flange, C onduit

### Environment

Ambient Temperature	HD	-10~50°C (14~122°F)
	ND	-10~40°C (14~104°F)
Storage Temperature		-20~65°C (-4~149°F)

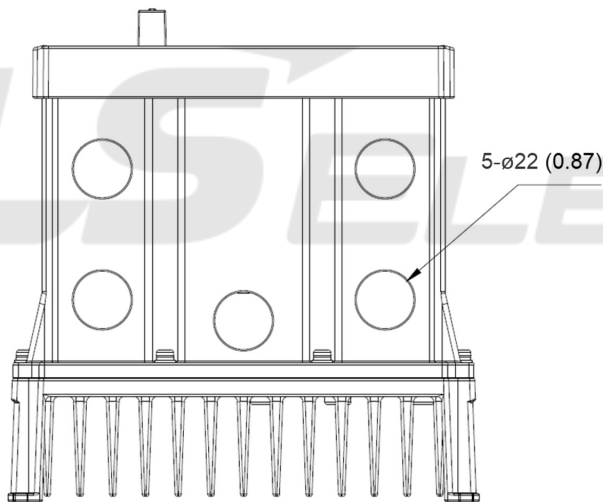
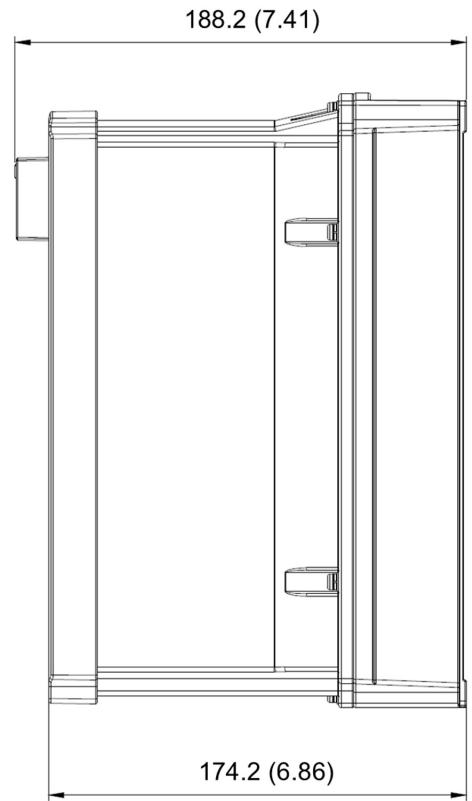
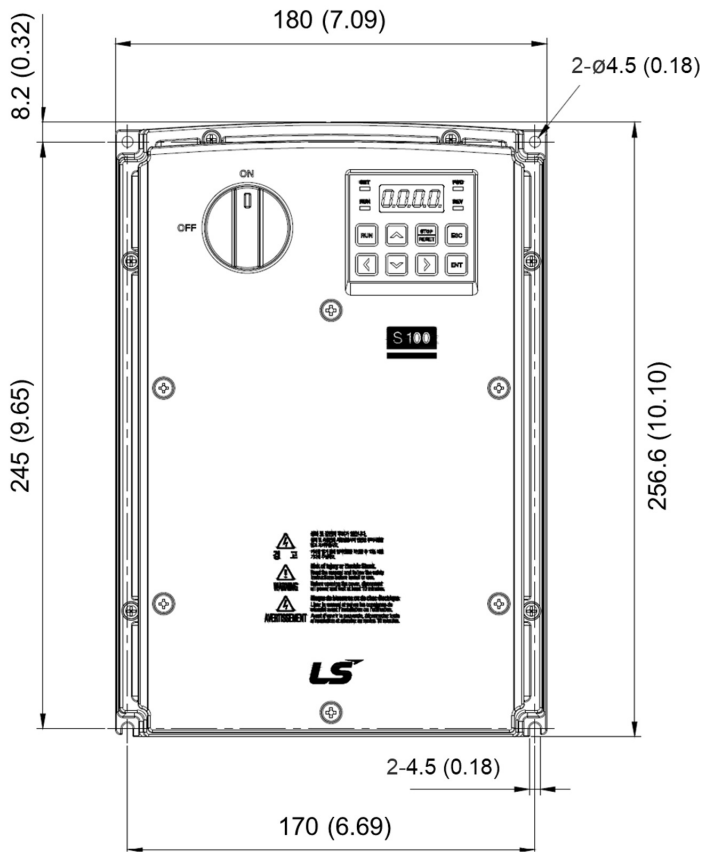
Humidity	Relative humidity of 95% RH or below (without dew formation)
Vibration	9.8m/sec <sup>2</sup> (1.0G) or below
Altitude	1,000m above sea level (From 1,000m or more, voltage/output current derating by 1% for every 100m elevation; up to 4,000m)
Certification	KC, CE, UL, cUL, Safety

#### Dimensions

Frame	A	
W x H x D	mm	180 x 256.6 x 188.2
	inch	7.09 x 10.10 x 7.41

#### Drawing

**LS** *ELECTRIC*



Dimension: mm (inch)