

Micro Drive

M100



General

Product code		66430012
Product description		LSLV0022M100-1EOFNA
Enclosure Rating		IP20
Input Rating (3-Phase)	Supply Voltage [VAC]	-
	Rated Current [HD/Heavy Duty]	-
	Rated Current [ND/Normal Duty]	-
Input Rating (1-Phase)	Supply Frequency [Hz]	-
	Supply Voltage (VAC)	200~240 VAC
	Rated Current (HD)	18.7 A
	Rated Current (ND)	-
	Supply Frequency (Hz)	50~60 Hz
Output Rating (3-Phase Input)	Output Voltage (VAC)	200~240 VAC
	Motor Power HP (HD)	-
	Motor Power HP (ND)	-
	Motor Power kW (HD)	2.2 kW
	Motor Power kW (ND)	-
	Output Current (HD)	-
	Output Current (ND)	-
	Rated Capacity (HD)	-
	Rated Capacity (ND)	-

	Output Frequency [Hz]	-
Output Rating (1-Phase Input)	Output Voltage [VAC]	200~240 VAC
	Motor Power HP [HD]	3.0 hp
	Motor Power HP [ND]	-
	Output Current [HD]	11.0 A
	Output Current [ND]	-
	Rated Capacity [HD]	4.5 kVA
	Rated Capacity [ND]	-
	Output Frequency [Hz]	0~400 Hz

General

Short Circuit Rating		100kA (IEC 60439-1)
Overload Capacity	HD	150% for 1min
	ND	-
Control Method		V/F Control
Input Terminals		5 Points
Output Terminals	Relay Output	2 Points
	Open Collector Output	-
EMC Filter		Built-in
DC Reactor		-
Communication	Built-in	Modbus RTU, LS INV 485
	Option	-
Option Card		Remote Cable, Remote Keypad

Environment

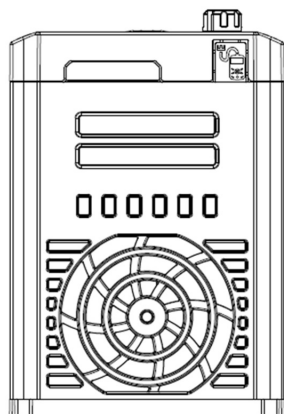
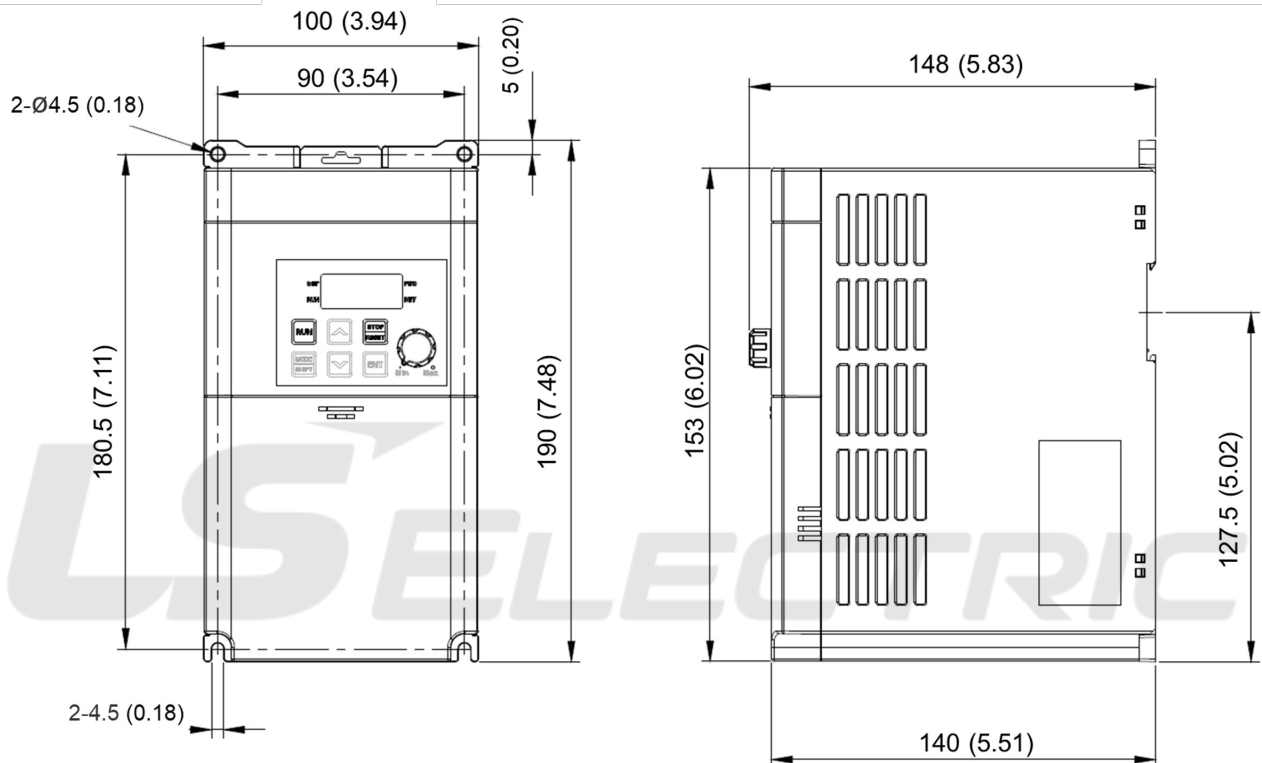
Ambient Temperature	HD	-10~50°C (14~122°F)
	ND	-10~40°C (14~104°F)
Storage Temperature		-20~65°C (-4~149°F)
Humidity		Relative humidity of 95% RH or below (without dew formation)
Vibration		9.8m/sec ² (1.0G) or below

Altitude	1,000m above sea level (From 1,000m or more, voltage/ output current derating by 1% for every 100m elevation; up to 4,000m)
Certification	KC, CE, UL, cUL

Dimensions

Frame	C	
W x H x D	mm	100 x 190 x 140
	inch	3.94 x 7.48 x 5.51

Drawing



Dimension: mm (inch)