

Top 100
Global
Innovator
for 10 years

S100

High-performance Standard Drive

Standard

1Phase 200V-240V 1/2-3HP (0.4kW-2.2kW)
3Phase 200V-240V 1/2-20HP (0.4kW-15kW)
3Phase 380V-480V 1/2-100HP (0.4kW~75kW)

IP66 [NEMA4X]

1Phase 200V-240V 1/2-3HP (0.4kW-2.2kW)
3Phase 200V-240V 1/2-20HP (0.4kW-15kW)
3Phase 380V-480V 1/2-30HP (0.4kW-22kW)

Safety Functions

- Built-in safe torque off (STO)
- Redundant input circuits

Strong Performance

- Sensorless control functions
- Starting torque (200%/0.5Hz)
- Various field networks

Space Efficient Design

- Side-by-side installation
- Decreased dimensions

Standard Compliance

- Built-in EMC filter
- International standards

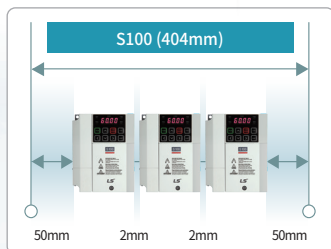
User Convenience

- User Sequence Function
(Simple PLC sequences can be operated with various function block combinations.)

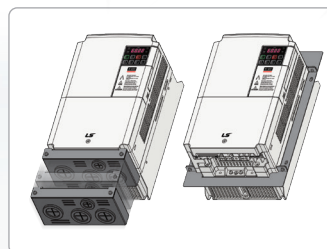


Various Field Bus Options

- ① Profibus-DP ③ Modbus TCP ⑤ EtherCAT
② Ethernet IP ④ CANopen ⑥ PROFINet



Side by Side Installation



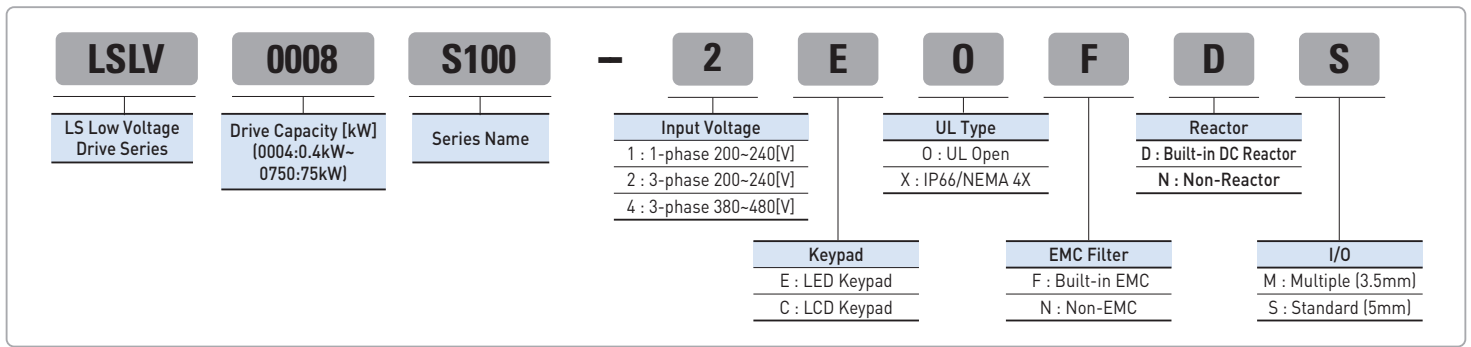
Conduit & Flange option



Built-in DC Reactor / EMC Filter / Safe Torque Off (STO)



Model Name



1-Phase 230V Class 1/2-3HP

3-Phase 230V Class 1/2-20HP

LSLV□□□□ S100-1□□□□□					0004	0008	0015	0022	LSLV□□□□ S100-2□□□□□										
Motor Rating	Heavy Duty(HD)	HP	0.5	1.0	2.0	3.0	Motor Rating	Heavy Duty(HD)	HP	0.5	1.0	2.0	3.0	5.0	5.4	7.5	10.0	15.0	20.0
		kW	0.4	0.75	1.5	2.2			kW	0.4	0.75	1.5	2.2	3.7	4.0	5.5	7.5	11.0	15.0
Motor Rating	Normal Duty(ND)	HP	1.0	2.0	3.0	5.0	Motor Rating	Normal Duty(ND)	HP	1.0	2.0	3.0	5.0	5.4	7.5	10.0	15.0	20.0	25.0
		kW	0.75	1.5	2.2	3.7			kW	0.75	1.5	2.2	3.7	4.0	5.5	7.5	11.0	15.0	18.5
Output Rating*	Capacity [kVA]	HD	1.0	1.9	3.0	4.2	Output Rating*	Capacity [kVA]	HD	1.0	1.9	3.0	4.2	6.1	6.5	9.1	12.2	17.5	22.9
		ND	1.2	2.3	3.8	4.6			ND	1.2	2.3	3.8	4.6	6.9	6.9	11.4	15.2	21.3	26.3
	Rated Current [A]	HD	2.5	5.0	8.0	11.0		Rated Current [3-Phase Input] (A)	HD	2.5	5.0	8.0	11.0	16.0	17.0	24.0	32.0	46.0	60.0
	ND	3.1	6.0	9.6	12.0	ND			3.1	6.0	9.6	12.0	18.0	18.0	30.0	40.0	56.0	69.0	
Input Rating	Frequency [Hz]	0~400Hz (IM Sensorless: 0~120[Hz])				Input Rating	Frequency [Hz]	0~400Hz (IM Sensorless: 0~120[Hz])											
		3-phase 200~240V						Voltage [V]	3-phase 200~240V										
	Voltage [V]	1-phase 200~240VAC (-15% ~ +10%)					Voltage [V]		3-phase 200~240VAC (-15% ~ +10%) / Single-Phase 240VAC (-5%~+10%)										
		Rated Current [A]	HD	4.4	9.3			15.6	21.7	Rated Current [A]	HD	2.2	4.9	8.4	11.8	17.5	18.5	25.8	34.9
ND	5.8		11.7	19.7	24.0	ND	3.0	6.3	10.8		13.1	19.4	19.4	32.7	44.2	62.3	77.2		
Weight [kg]	Non-EMC Filter Type	2.0/0.9	2.9/1.3	3.3/1.5	4.4/2.0	Weight [kg]	Non-EMC Filter Type	2.0/0.9	2.0/0.9	2.9/1.3	3.3/1.5	4.4/2.0	4.4/2.0	6.8/3.1	6.8/3.1	9.7/4.4	15.2/6.9		
	EMC Filter Type	2.5/1.1	3.4/1.6	3.9/1.8	4.9/2.2		IP66 Type(EMC)	8.2/3.7	11.7/5.3	12.1/5.5	12.4/5.6	IP66 Type(EMC)	8.2/3.7	11.7/5.3	12.1/5.5	12.4/5.6	12.4/5.6	12.4/5.6	
	IP66 Type(EMC)	8.2/3.7	11.7/5.3	12.1/5.5	12.4/5.6		IP66 Type(Non-EMC)	7.9/3.6	7.9/3.6	11.5/5.2	11.9/5.4	12.1/5.5	12.1/5.5	19.4/8.8	19.4/8.8	20.7/9.4	26.2/11.9		
	IP66 Type(Non-EMC)	7.9/3.6	11.5/5.2	11.9/5.4	12.1/5.5		IP66 Type(Non-EMC)	7.9/3.6	7.9/3.6	11.5/5.2	11.9/5.4	12.1/5.5	12.1/5.5	19.4/8.8	19.4/8.8	20.7/9.4	26.2/11.9		

3-Phase 460V Class 1/2-100HP

LSLV□□□□ S100-4□□□□□					0004	0008	0015	0022	0037	0040	0055	0075	0110	0150	0185	0220	0300	0370	0450	0550	0750
Motor Rating	Heavy Duty(HD)	HP	0.5	1.0	2.0	3.0	5.0	5.4	7.5	10.0	15.0	20.0	25.0	30.0	40.0	50.0	60.0	75.0	100.0		
		kW	0.4	0.75	1.5	2.2	3.7	4.0	5.5	7.5	11.0	15.0	18.5	22.0	30.0	37.0	45.0	55.0	75.0		
Motor Rating	Normal Duty(ND)	HP	1.0	2.0	3.0	5.0	5.4	7.5	10.0	15.0	20.0	25.0	30.0	40.0	50.0	60.0	75.0	100.0	120.0		
		kW	0.75	1.5	2.2	3.7	4.0	5.5	7.5	11.0	15.0	18.5	22.0	30.0	37.0	45.0	55.0	75.0	90.0		
Output Rating*	Capacity [kVA]	HD	1.0	1.9	3.0	4.2	6.1	6.9	9.1	12.2	18.3	22.9	29.7	34.3	46	57	69	84	116		
		ND	1.5	2.4	3.9	5.3	7.6	7.6	12.2	17.5	22.9	29.0	33.5	44.2	55	67	78	106	126		
	Rated Current [3-Phase Input] (A)	HD	1.3	2.5	4.0	5.5	8.0	9.0	12.0	16.0	24.0	30.0	39.0	45.0	61.0	75.0	91.0	110.0	152.0		
	ND	2.0	3.1	5.1	6.9	10.0	10.0	16.0	23.0	30.0	38.0	44.0	58.0	75.0	91.0	107.0	142.0	169.0			
Input Rating	Frequency [Hz]	0~400Hz (IM Sensorless: 0~120[Hz])																			
		3-phase 380~480V																			
	Voltage [V]	3-phase 380~480VAC (-15% ~ +10%) / Single-phase 480VAC (-5%~+10%)																			
		Rated Current [A]	HD	1.1	2.4	4.2	5.9	8.7	9.8	12.9	17.5	26.5	33.4	43.6	50.7	56.0	69.0	85.0	103.0	143.0	
ND	2.0		3.3	5.5	7.5	10.8	10.8	17.5	25.4	33.4	42.5	49.5	65.7	69.0	85.0	100.0	134.0	160.0			
Weight [kg]	EMC Filter Type	2.6/1.2	2.6/1.2	3.9/1.8	4.0/1.8	4.9/2.2	4.9/2.2	7.3/3.3	7.5/3.4	10.1/4.6	10.5/4.8	16.5/7.5	16.5/7.5	57/26	77/35	77/35	-	-			
	Non-EMC Filter Type	2.0/0.9	2.0/0.9	2.9/1.3	3.3/1.5	4.4/2.0	4.4/2.0	19.4/8.8	19.6/8.9	21.2/9.6	21.6/9.8	27.3/12.4	27.3/12.4	55/25	75/34	75/34	95/43	95/43			
	IP66 Type(EMC)	8.2/3.7	8.2/3.7	11.7/5.3	12.1/5.5	12.4/5.6	12.4/5.6	19.0/8.6	19.2/8.7	20.7/9.4	21.2/9.6	26.9/12.2	26.9/12.2	-	-	-	-	-			
	IP66 Type(Non-EMC)	7.9/3.6	7.9/3.6	11.5/5.2	11.9/5.4	12.1/5.5	12.1/5.5	19.0/8.6	19.2/8.7	20.7/9.4	21.2/9.6	26.9/12.2	26.9/12.2	-	-	-	-	-			

* IP66 products do not support light load operation.



www.lselectricamerica.com

■ **Seoul Office** LS Yongsan Tower, 92, Hangang-daero, Yongsan-gu, Seoul, 04386, Korea
 Tel: 82-2-2034-4644(Europe), 4982(USA), 4884(East Asia)
 Fax: 82-2-2034-4588 E-mail: drivesales@ls-electric.com

■ **LS ELECTRIC America Inc. [Chicago, USA]** 625 Heathrow Dr, Lincolnshire, IL 60069 USA
 Tel: +1-800-891-2941 Fax: +1-847-383-6543 E-mail: sales.us@lselectricamerica.com



According to The WEEE Directive, please do not discard the device with your household waste.